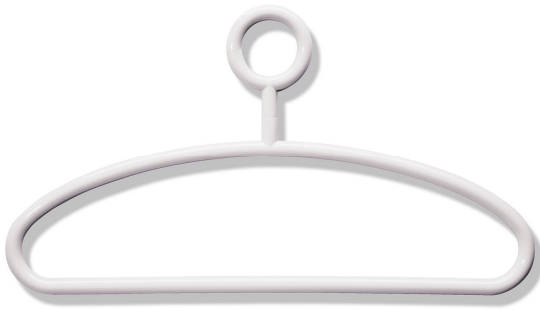




Product data sheet

Coat/trouser hanger with swivel feature 571.4

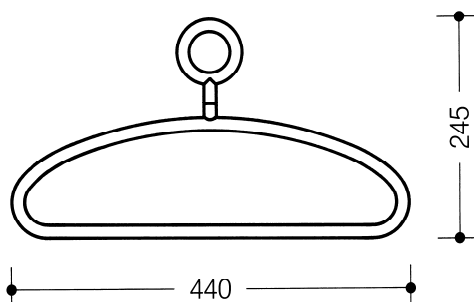
HEWI



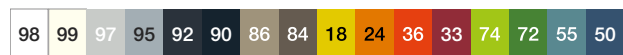
Coat/trouser hanger with swivel feature 571.4

- made of high-quality polyamide, according to HEWI colour chart
- diameter 15 mm, 245 x 440 mm, fits on rail diameter 33 mm
- with rotatable eye, with 90° locking points

Dimensions in mm



Colours



Technical information subject to alteration, 9th September 2021

HEWI Heinrich Wilke GmbH
Postfach 1260
D-34442 Bad Arolsen

Telefon: +49 5691 82-366
Telefax: +49 5691 82-99366
international@hewi.com
www.hewi.com

HEWI (UK) Limited
Holm Oak Barn, Beluncle Halt
Stoke Road
Hoo Kent ME3 9NT

Phone +44 1634 258 200
Fax +44 1634 250 099
info@hewi.co.uk
www.hewi.com